

Patent Pending

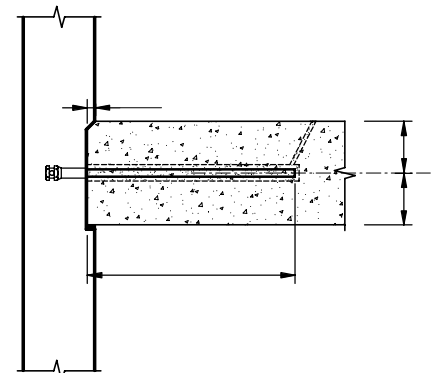
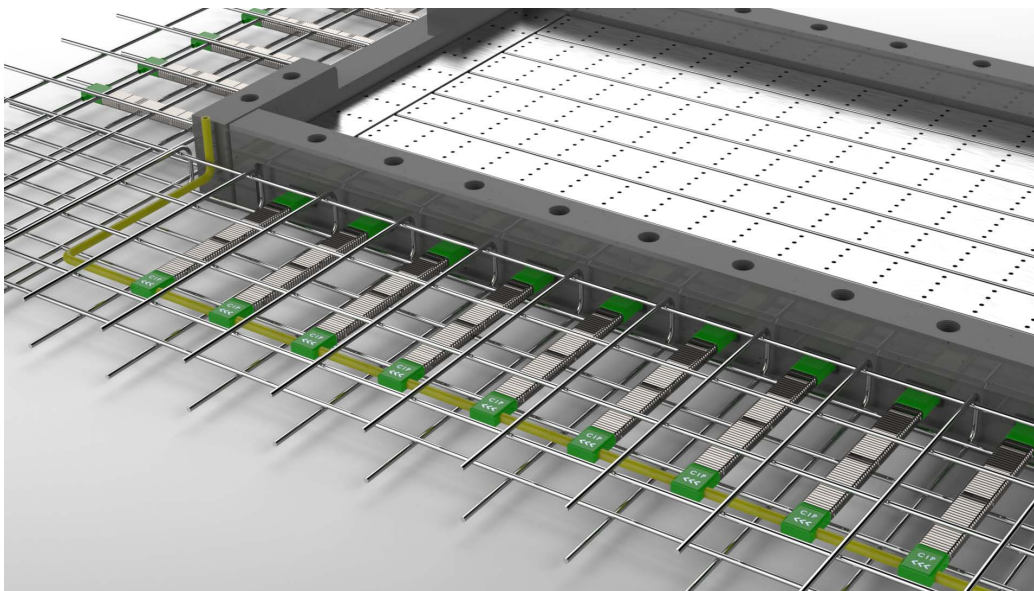
KWIK Sleeve allows for horizontal lateral movement of the slab for PT Stressing / Drying shrinkage

The KWIK Sleeve allows for grouting after PT stressing locking the elements together.

KWIK Sleeve size allows for easy handling on site and installation before or after steel placement.

Kwik Sleeve is grouted after post tensioning stressing is complete and initial movement has stopped - normally 21-31 days after final stress.

Using standard PT Grout. (ref to installation guide)

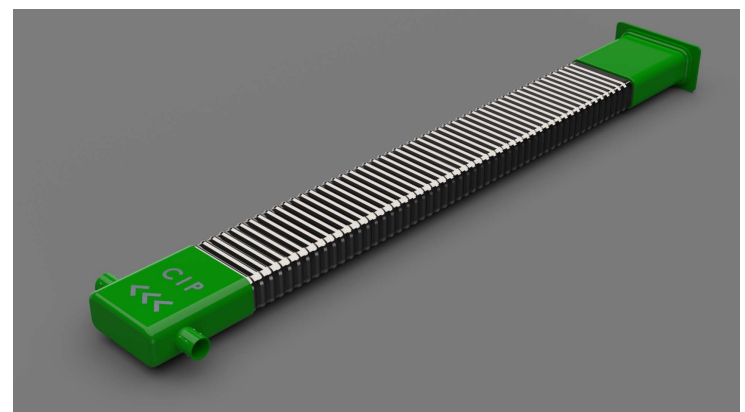


Section view

KEY BENEFITS

- Can be installed before or after steel placement is complete
- Corrugated metal duct, ensures bonding between slab and bar
- Quick installation
- Available 400mm and 800mm long
- Can be looped for grouting purposes
- No leakage during grouting
- Cost effective solution
- No on site assembly required

NOTE - Can be used in shear application as per Engineers specification, however propping must be used until grouting is complete .



3D view

Patent Pending